



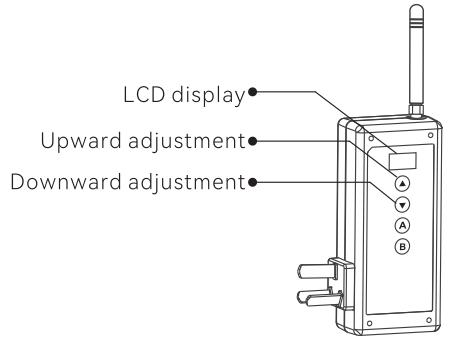
Wireless repeater

PB-204R

Instructions for use of wireless repeater

● Product Brief

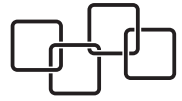
PB-204R is mainly used to help transmit wireless signals when the distance between detectors is too long or obstacles are seriously blocked. PB-204R is mainly used to send signals to the host. The PB-204R can automatically transmit the wireless signal of the detector without code pairing. The PB-204R adopts advanced multi-level transmission method, which can transmit up to 3 levels to avoid interference and invalid retransmission of duplicate codes.



Overall appearance drawing

● Specifications

Model	PB-204R
Input Power	AC 220V
Built-in battery	3.7V/1200mAh 1 * LC16340 rechargeable lithium battery, which can last for a short time after power failure
Wireless receiving distance	≥ 60m
Wireless transmission distance	≥ 100m (open area)
Number of wireless forwarding	Unlimited
Wireless transmission current	130 mA
Modulation mode	ASK
Transmit frequency	868 MHz
Transmit power	15db
Product size	L114 * W74 * H32mm (excluding antenna)
Working environment	Temperature - 10 °C~55 °C, Humidity ≤ 95% RH, no condensation



● Function description

The PB-204R automatically forwards the equipment status code. If the ID is the same and the status is different, the equipment will be directly forwarded. If the same equipment sends multiple same status codes (the remote presses the alarm key several times) within the set level of shielding time, the equipment will be directly shielded.

● Switch on/off

Power on: power on.

Shut down: switch to battery power after disconnecting the power supply. In standby mode, press and hold the "A" and "▲" keys for 3 seconds to shut down.

● Level setting

Enter the level setting: in standby mode, press and hold the "B" and "▼" keys for 3 seconds to enter the level setting, and then release the key.

Set level: "▲" is for upward adjustment and "▼" is for downward adjustment. Four levels can be set, and four shielding times can be set, as shown in the following table.

Level	LCD	Mean	Level	LCD	Mean
0		Shield for 5S	2		Shield for 15S
1		Shield for 10S	3		Shield for 20S

Exit level setting: After the setting is completed, it will automatically exit without operation within 5 to 10 seconds.